



# 55W MODUGrow Starter

## Features

The MODUGrow Starter full spectrum grow light is designed for indoor horticulture starter growers on a budget

- Daisy chainable to any existing Modugrow light
- Passive cooling
- Simple refurbishment of LED module at end of life 50K hours (L70)
- Slim design
- Dimmable on standard rotary dimmer



## Specifications

### Electrical Specifications

Nominal Input Voltage:	200VAC - 250VAC
Power Input	55Watts
Power Factor	>0.90
Current @ 230VAC	0.3Amps
Inrush current	0.3Amps
Led Power	50Watts
Power Supply Efficiency	90%
Surge capability (L/N-Ground)	1Ka
Surge capability (L-N)	2Ka
Driver Life Span	50000h @ TC Point of 80°C 100000h @ TC Point of 70°C
Operating temperature (Ta):	-40°C to +55°C
IP Rating	IP52

### LED Specification

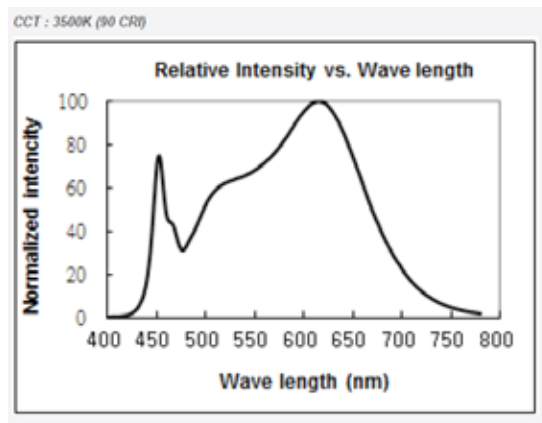
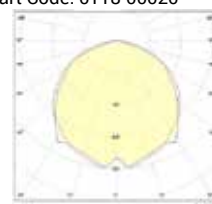
LED Type	252 x Osram Duris E
Photosynthetic Photon Flux (µmol PAR/s):	100 µmol/s Osram Duris E
PAR Photon Efficacy (µmol PAR/J):	2.4 µmol/J @ 65 mA Osram Duris E
LED Colour	3500K Duris E
L70 Life Span	50000h

### Construction

Materials	Aluminium 6063 T6, PMMA cover Brackets Stainless steel
Length, Height, Width	315mm, 117mm, 121mm
Weight	1.2Kg

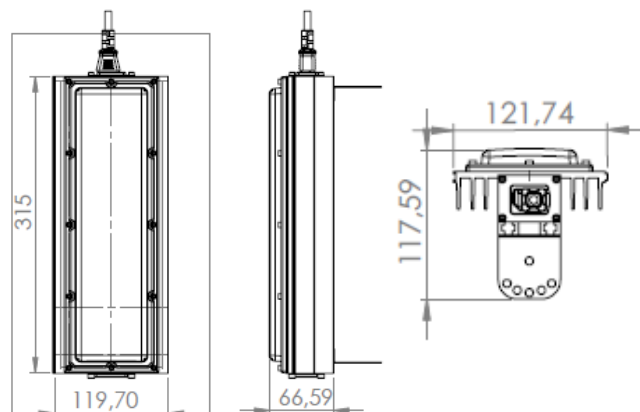
## Photometric Data

Part Code: 0118-00020



## Light Output Specifications

PAR Photon Efficacy (µmol PAR/J):	2.0 µmol/J
Photosynthetic Photon Flux (µmol PAR/s):	100 µmol/s
Warranty:	2 years





# 55W MODUGrow Starter light PPFd maps

